

Temporary railings for containers

Temporary railings for container roofs are a modular solution that allows for the creation of safety barriers in various configurations.

The railing system is compatible with standard social and shipping containers.

Thanks to a special tool, the folding and unfolding of the railings can be carried out from ground level.



Configuration for single container



Configuration for three containers.
In this type of configuration you only need 2 modules of railings.



anti-corrosive protection
through hot-dip
galvanization



easy & quick
assembly



acc. to NF E85-015,
EN ISO 14122-3



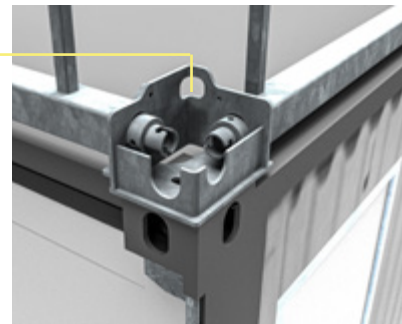
modular construction



check how it works

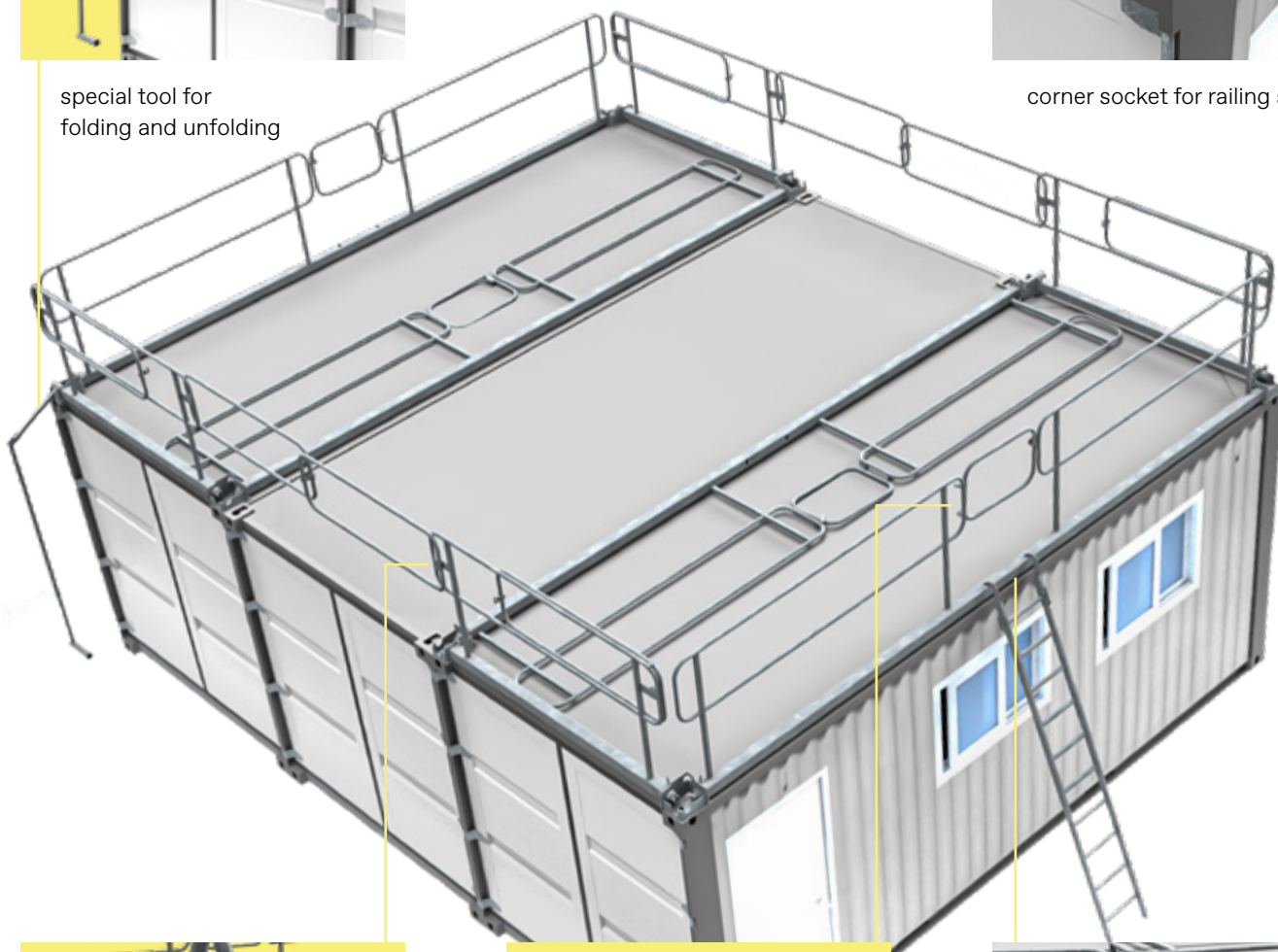


special tool for folding and unfolding



socket for lifting the frame

corner socket for railing system



safety gate lock



self-lock gate



aluminum ladder attachment to the frame

Our quality:

TLC's production plant has implemented Factory Production Control according to EN 1090-1 and welding quality system according to PN-EN ISO 3834-2, both certified by TUV SUD Polska.

TLC's production plant has been certified with the Integrated Management System of Quality, Environment and OHS (ISO 9001/ ISO 14001/ ISO 45001) issued by Bureau Veritas Certification.

Manufacturer, TLC Sp. z o.o., holds Environmental Product Declaration acc. with ISO 14025:2006 and EN 15804:2012+A2:2019/AC:2021 for industrial communication systems including stairs, railings and fences.

