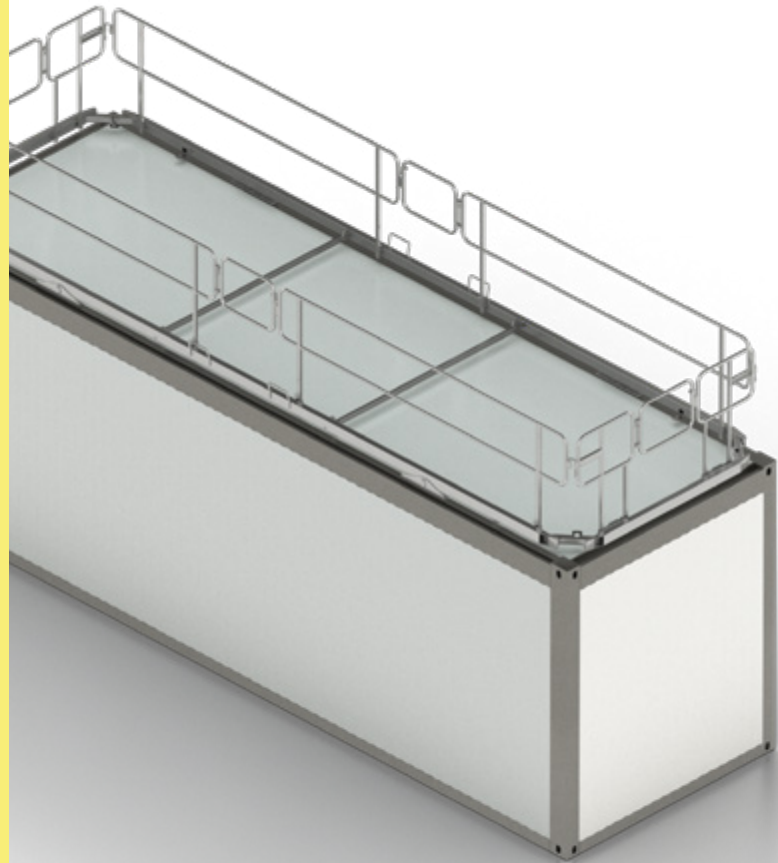


Temporary railings for containers

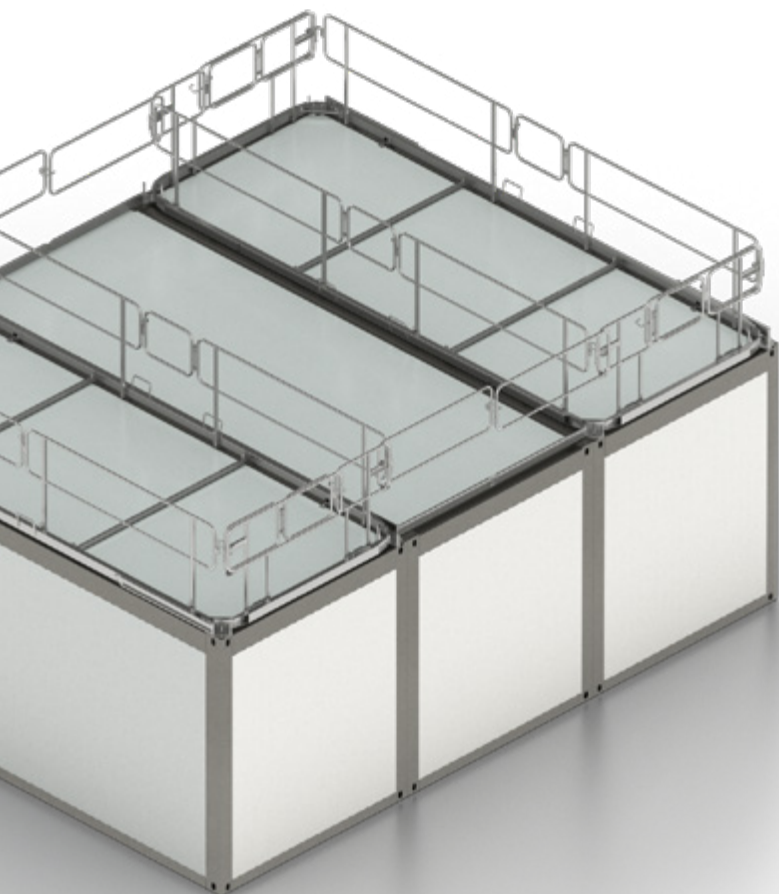
Temporary railings for container roofs are a modular solution that allows for the creation of safety barriers in various configurations.

The railing system is compatible with standard social and shipping containers.

Thanks to a special tool, the folding and unfolding of the railings can be carried out from ground level.



Configuration for single container
SKPT-BT2 (container 2400 × 7700 mm)
SKPT-BT3 (container 2440 × 6000 mm)
SKPT-BT4 (container 2995 × 6000 mm)



Extended version allowing the adjacent container to be secured (can only be used with an odd number of containers).
SKPT-BT3_P



anti-corrosive protection
through hot-dip
galvanization



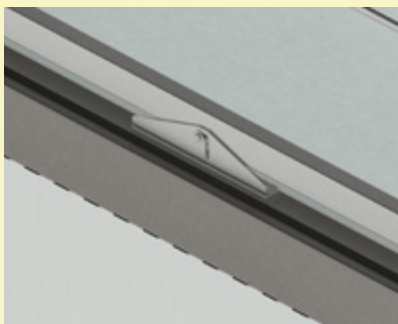
easy & quick
assembly



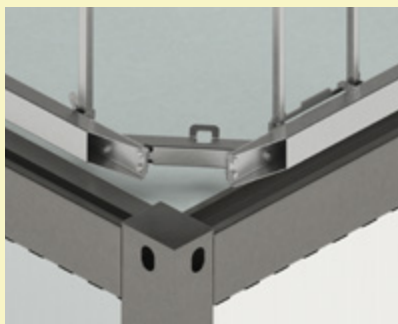
acc. to NF E85-015,
EN ISO 14122-3,
EN ISO 1990



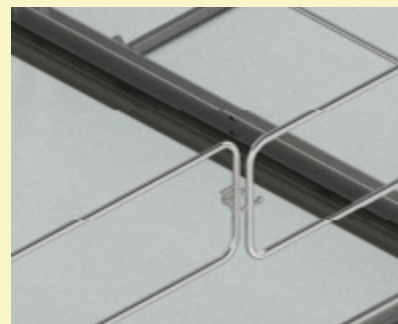
modular construction



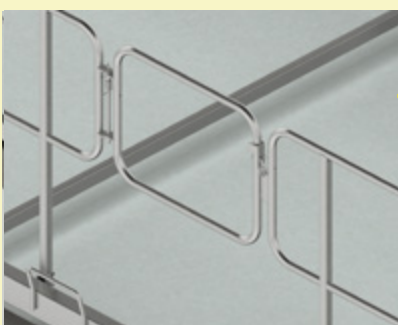
Foot
(variant SKPT-BT2)



Corner bracket
(variant SKPT-BT2)



Panel connection
(variant SKPT-BT3_P)



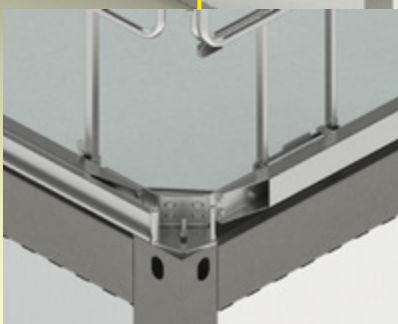
Self-closing gate
(all variants)



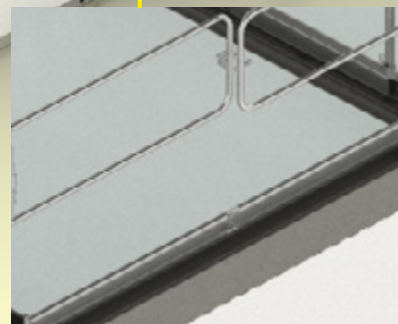
Hooks
(all variants)



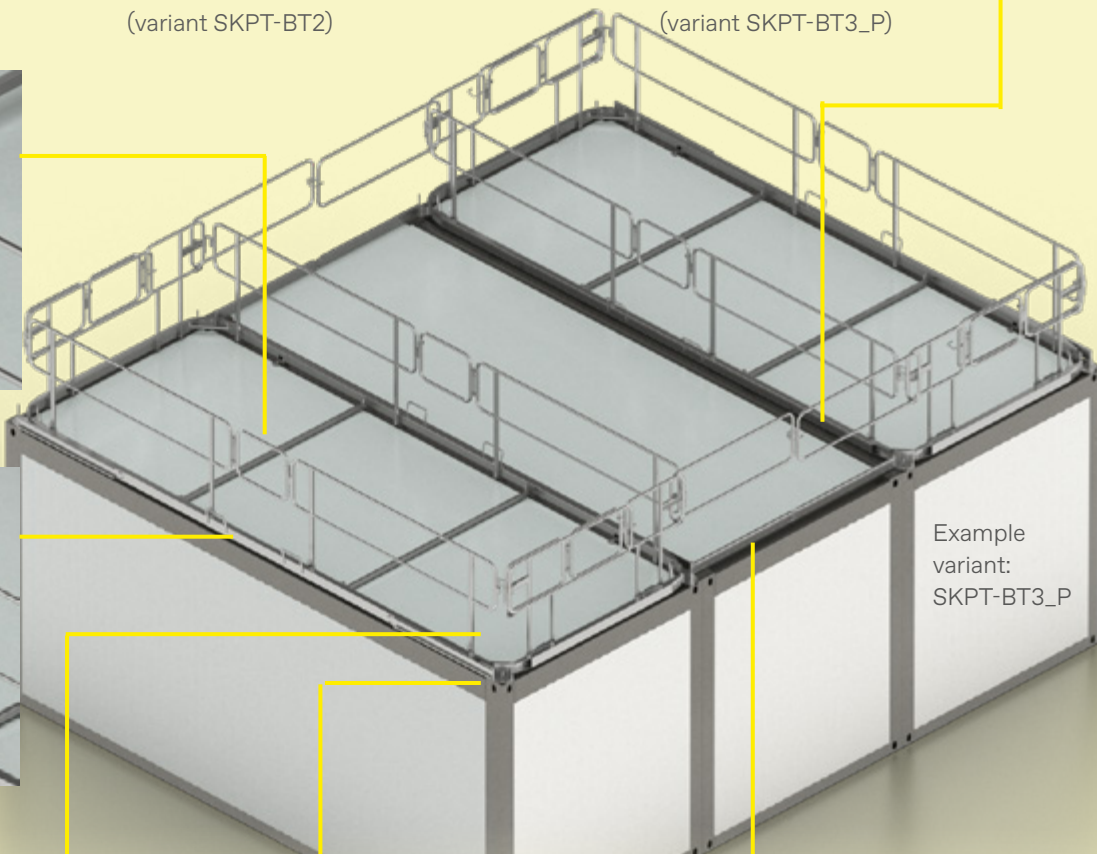
Corner catch
(all variants)



Screw-mounted fixing bracket
(variants SKPT-BT3 / SKPT-BT4)



Toeboard
(variant SKPT-BT3_P)



Example variant:
SKPT-BT3_P

TLC's production plant has implemented Factory Production Control according to EN 1090-1 and welding quality system according to PN-EN ISO 3834-2, both certified by TUV SUD Polska.



Manufacturer, TLC Sp. z o.o., holds Environmental Product Declaration acc. with ISO 14025:2006 and EN 15804:2012+A2:2019/AC:2021 for industrial communication systems including stairs, railings and fences.

The information presented in this promotional material is for informational and preview purposes only. Product specifications should be verified with technical data specified by the manufacturer.

